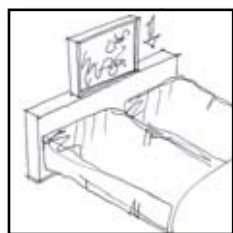
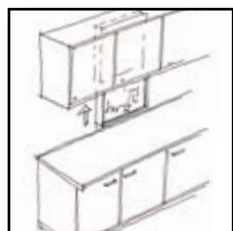


## TV-lift TS460

The TS460 is a small all-round electric TV Lift. Usable in many kind of products such as kitchen cupboards, bed ends, office furniture, campers, speedboats and more.



VENSET®

Electrical movement in furniture and buildings

# TV-lift TS460

## Component specifications

Metal sheet parts: St 37-2  
 Gear parts: St 70-2  
 Gear motor: CSE 24V 300047  
 Power supply: 100 W AC SMPS Power Transformer  
 Consumption: 100 Watts; Standby: 0,01 Watts  
 Plastic components: PEHD, POM  
 Surface treatment: Visible metal parts powder coated in "alu" colour.  
 Non visible metal parts are surface treated (e.g. zinc plated)

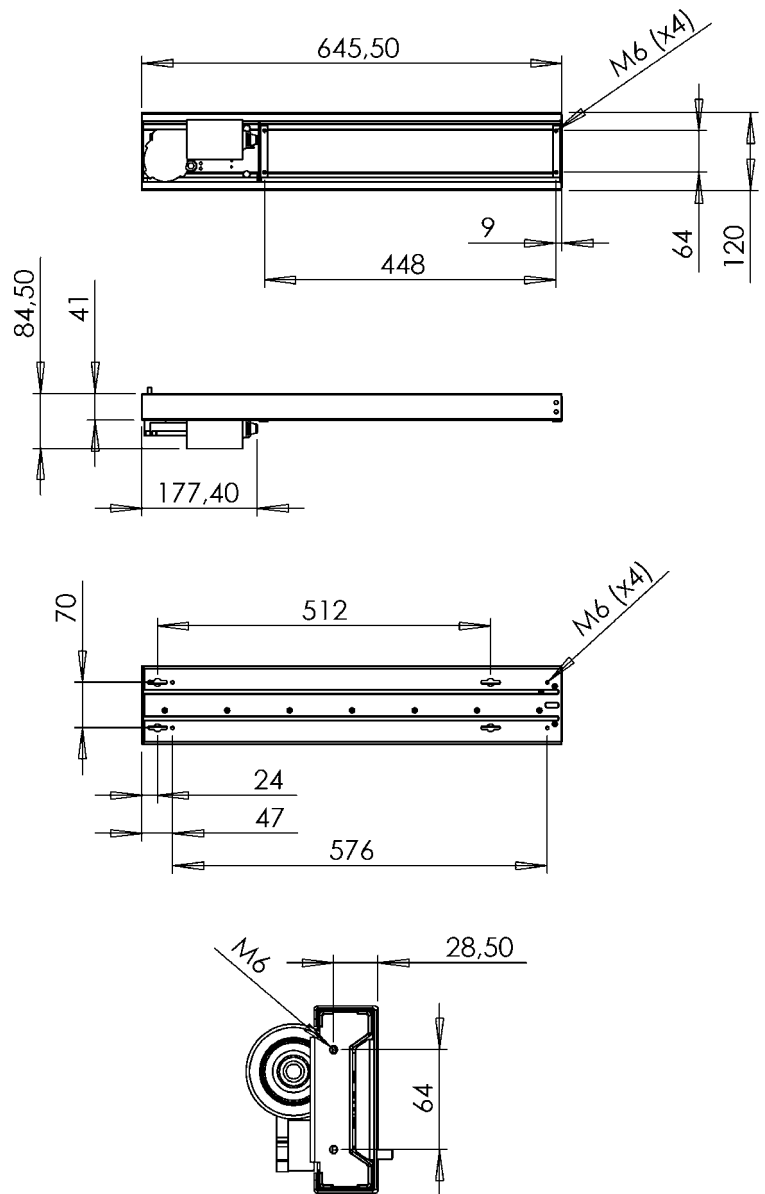
Lifting capacity: 50 kg  
 Height: 64,5-110,5 cm  
 Depth: 4 cm  
 Speed: 25 mm/sec

The electric components should be connected after mounting the lift.

All wires have DC jacks and since different types (size- male/female) have been used, only the correct connection can be made.

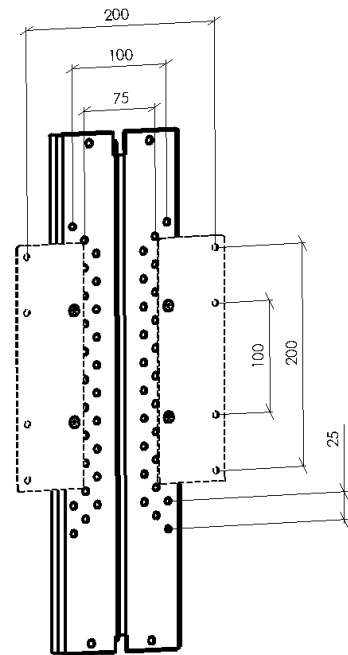
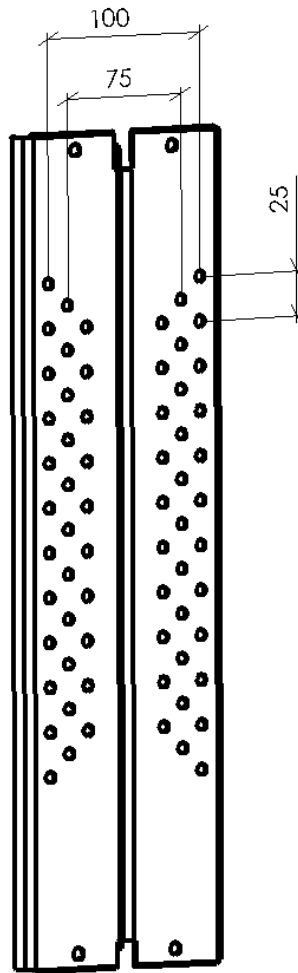
The mechanism can now be operated up and down using the supplied remote unit. Push "+" and the lift will expand.

All products come with an instruction manual.



VENSET®

# Accessory for TS460: Monitor bracket MB460



Plasma/LCD mounting bracket for use with TS460.  
Powder coated in RAL 9006 (alu-look). Weight capacity 50 kilos.

Fits Vesa std.:  
50x50  
75x75  
100x100  
200x100  
200x200

